

Fish Eye Down light (Cool white 1W*3)vac

Future

- Model No: VL001SD31-vac-W/G / VL001FD31-vac-W/G / VL001WD31-vac-W/G
- Light Source : Three Luxeon 1W Emmitter LED (Cool white)
- Material housing : Metal , Color: White / Gold
- Optic Alacrilan Len's (PMMA), Lens size : Ø20mm
- dimension (Φ100 x 55mm) / Cut hole: Ø 72mm
- Lift Time over 50,000Hour's
- Net Weight : 166g , Gross Weight:194g
- Packing : 105*105*62mm(L*W*H)



Specification

- LED Power consume (Watt) : **3W** (1w LED x 3 pcs)
- Led lumen : **135 lm** (**45 lm** * 3 , Cool White)
- Center Illuminance : **1400 Lux/m** (Spot) / **200 Lux/m** (Flood) / **800 Lux/m** (Wide)
- Len's Material : optic alacrilan Len's (PMMA)
- Lens size : Ø20mm
- Bean Angle : Spot ($10^{\circ} \pm 1^{\circ}$) / Flood ($20^{\circ} \pm 1^{\circ}$) / Wide(12° * 35°) lens
- Input Voltage : 12Vac
- Power Line Frequency (Hz) : 50Hz/60Hz or Electronic Transfrmer (25Khz)
- Correlated Color Temperature(CCT) : 4800°K~7000°K (Cool white)
- Operation Temperature : -20 °C~ + 40°C
- Average Life Hours : 50,000Hour's

Mechanical Dimensions

Spot



Flood

Wide



Fish Eye Down light (Warm White 1W*3)vac

Future

- Model No : VL001ST31-vac-W/G / VL001FT31-vac-W/G / VL001WT31-vac-W/G
- Light Source : Three Seoul 1W Emmitter LED (Warm white)
- Material housing : Metal , Color : White / Gold
- Optic Alacrilan Len's (PMMA), Lens size : Ø20mm
- dimension : Φ100mm x 55mm / Cut hole: Ø 72 mm
- Lift Time over 50,000Hour's
- Net Weight : 166g , Gross Weight:194g
- Packing : 105*105*62mm(L*W*H)



Specification

- LED Power Consume (Watt) : 3W(1w LED x 3 pcs)
- Led lumen : 120 lm (40 lm * 3 pcs , Warm white)
- Center Illuminance : 1000 Lux/m (Spot) / 200 Lux/m (Flood) / 500 Lux/m (Wide)
- Len's Material : Optic alacrilan Len's (PMMA)
- Lens size : Ø20mm
- Bean Angle : Spot (10° ±1°) / Flood (20° ±1°) / Wide(12°*35°) lens
- Input Voltage : 12Vac +/-10%
- Power Line Frequency (Hz) : 50Hz/60Hz or 25Khz (Electron Transformer)
- Correlated Color Temperature(CCT) : 3300°K +/- 15% (Warm white)
- Operation Temperature : -20 °C ~ + 40°C
- Average Life Hours : 50,000Hour's

Mechanical Dimensions

Spot



Flood

Wide



Fish Eye Down light (Cool white 1W*3)AC

Future

- Model No : VL001SD31-AC-W/G / VL001FD31-AC-W/G / VL001WD31-AC-W/G
- Light Source : Three Luxeon 1W Emmitter LED (Cool white)
- Material housing : Metal , Color: White / Gold
- Optic Alacrilan Len's (PMMA)
- dimension ($\Phi 100$ x 55mm) / Cut hole: $\Phi 72$ mm
- Lift Time over 50,000Houre's
- Net Weight : 166g , Gross Weight:194g
- Packing : 105*105*62mm(L*W*H)



Specification

- LED Power consume (Watt) : 3W (1w LED x 3 pcs)
- Led lumen : 135 lm (45 lm * 3 , Cool White)
- Center Illuminance : 1400 Lux/m (Spot) / 200 Lux/m (Flood) / 800 Lux/m (Wide)
- Len's Material : optic alacrilan Len's (PMMA)
- Lens size : $\Phi 20$ mm
- Bean Angle : Spot ($10^\circ \pm 1^\circ$) / Flood ($20^\circ \pm 1^\circ$) / Wide($12^\circ * 35^\circ$) lens
- Input Voltage : 100V~230V AC
- Power Line Frequency (Hz) : 50Hz/60Hz
- Correlated Color Temperature(CCT) : 4800°K~7000°K (Cool white)
- Operation Temperature : $-20^\circ\text{C} \sim +40^\circ\text{C}$
- Average Life Hours : 50,000Houre's

Mechanical Dimensions

Spot



Flood

Wide



Fish Eye Down light (Warm White 1W*3)AC

Future

- Model No : VL001ST31-AC-W/G / VL001FT31-AC-W/G /VL001WT31-AC-W/G
- Light Source : Three Seoul 1W Emmitter LED (Warm white)
- Material housing : Metal , Color: White / Gold
- Optic Alacrilan Len's (PMMA)
- dimension : $\Phi 100\text{mm} \times 55\text{mm}$ / Cut hole: $\Phi 72 \text{ mm}$
- Lift Time over 50,000Hour's
- Net Weight : 166g , Gross Weight:194g
- Packing : 105*105*62mm(L*W*H)



Specification

- LED Power Consume (Watt) : 3W(1w LED x 3 pcs)
- Led lumen : 120 lm (40 lm * 3 pcs , Warm white)
- Center Illuminance : 1000 Lux/m (Spot) / 200 Lux/m (Flood) / 500 Lux/m (Wide)
- Len's Material : Optic alacrilan Len's (PMMA)
- Lens size : $\Phi 20\text{mm}$
- Bean Angle : Spot ($10^\circ \pm 1^\circ$) / Flood ($20^\circ \pm 1^\circ$) / Wide($12^\circ \times 35^\circ$) lens
- Input Voltage : 100V~230V AC
- Power Line Frequency (Hz) : 50Hz/60Hz
- Correlated Color Temperature(CCT) : 3300°K +/- 15% (Warm white)
- Operation Temperature : $-20^\circ\text{C} \sim +40^\circ\text{C}$
- Average Life Hours : 50,000Hour's

Mechanical Dimensions

Spot



Flood

Wide



Down light (Cool white 1W*3)vac

Future

- Model No : VL002SD31-vac-A / VL002FD31-vac-A / VL002WD31-vac-A
- Light Source : Three Luxeon 1W Emmitter LED (Cool white)
- Material housing : Aluminum , Color: Aluminum
- Optic Alacrilan Len's (PMMA)
- dimension (Φ 73mm x 41mm) / Cut hole: Φ 55 mm
- Lift Time over 50,000Hour's
- Net Weight : 176g , Gross Weight:204g
- Packing : 75*75*45mm(L*W*H)



Specification

- LED Power consume (Watt) : 3W (1w LED x 3 pcs)
- Led lumen : 135 lm (45 lm * 3 , Cool White)
- Center Illuminance : 1400 Lux/m (Spot) / 200 Lux/m (Flood) / 800 Lux/m (Wide)
- Len's Material : optic alacrilan Len's (PMMA)
- Lens size : Φ 20mm
- Bean Angle : Spot ($10^{\circ} \pm 1^{\circ}$) / Flood ($20^{\circ} \pm 1^{\circ}$) / Wide(12° * 35°) lens
- Input Voltage : 12Vac
- Power Line Frequency (Hz) : 50Hz/60Hz or Electronic Transfrmer (25Khz)
- Correlated Color Temperature(CCT) : 4800°K~7000°K (Cool white)
- Operation Temperature : $-20^{\circ}\text{C} \sim +40^{\circ}\text{C}$
- Average Life Hours : 50,000Hour's

Mechanical Dimensions



Down light (Warm White 1W*3)vac

Future

- Model No : VL002ST31-vac-A / VL002FT31-vac-A /VL002WT31-vac-A
- Light Source : Three Seoul 1W Emmitter LED (Warm white)
- Material housing : Aluminum , Color: Aluminum
- Optic Alacrilan Len's (PMMA)
- dimension : $\Phi 73\text{mm} \times 41\text{mm}$ / Cut hole: $\Phi 55 \text{ mm}$
- Lift Time over 50,000Hour's
- Net Weight : 176g , Gross Weight:204g
- Packing : 75*75*45mm(L*W*H)



Specification

- LED Power Consume (Watt) : 3W(1w LED x 3 pcs)
- Led lumen : 120 lm (40 lm * 3 pcs , Warm white)
- Center Illuminance : 1000 Lux/m (Spot) / 200 Lux/m (Flood) / 500 Lux/m (Wide)
- Len's Material : Optic alacrilan Len's (PMMA)
- Lens size : $\Phi 20\text{mm}$
- Bean Angle : Spot ($10^\circ \pm 1^\circ$) / Flood ($20^\circ \pm 1^\circ$) / Wide($12^\circ \times 35^\circ$) lens
- Input Voltage : 12Vac +/-10%
- Power Line Frequency (Hz) : 50Hz/60Hz or 25Khz (Electron Transformer)
- Correlated Color Temperature(CCT) : 3300°K +/- 15% (Warm white)
- Operation Temperature : $-20^\circ\text{C} \sim +40^\circ\text{C}$
- Average Life Hours : 50,000Hour's

Mechanical Dimensions



Down light (Cool white 1W*3)vac

Future

- Model No : VL003SD31-vac-W / VL003FD31-vac-W / VL003WD31-vac-W
- Light Source : Three Luxeon 1W Emmitter LED (Cool white)
- Material housing : Metal, Color: White
- Optic Alacrilan Len's (PMMA)
- dimension ($\Phi 108 \times 55\text{mm}$) / Cut hole: $\Phi 86\text{mm}$
- Lift Time over 50,000Hour's
- Net Weight : 140g , Gross Weight:168g
- Packing : 110*110*60mm(L*W*H)



Specification

- LED Power consume (Watt) : 3W (1w LED x 3 pcs)
- Led lumen : 135 lm (45 lm * 3 , Cool White)
- Center Illuminance : 1400 Lux/m (Spot) / 200 Lux/m (Flood) / 800 Lux/m (Wide)
- Len's Material : optic alacrilan Len's (PMMA)
- Lens size : $\Phi 20\text{mm}$
- Bean Angle : Spot ($10^\circ \pm 1^\circ$) / Flood ($20^\circ \pm 1^\circ$) / Wide($12^\circ \times 35^\circ$) lens
- Input Voltage : 12Vac
- Power Line Frequency (Hz) : 50Hz/60Hz or Electronic Transfrmer (25Khz)
- Correlated Color Temperature(CCT) : 4800°K~7000°K (Cool white)
- Operation Temperature : $-20^\circ\text{C} \sim +40^\circ\text{C}$
- Average Life Hours : 50,000Hour's

Mechanical Dimensions



Down light (Warm White 1W*3)vac

Future

- Model No : VL003ST31-vac-W / VL003FT31-vac-W / VL003WT31-vac-W
- Light Source : Three Seoul 1W Emmitter LED (Warm white)
- Material housing : Metal, Color: White
- Optic Alacrilan Len's (PMMA)
- dimension ($\Phi 108 \times 55\text{mm}$) / Cut hole: $\Phi 86\text{mm}$
- Lift Time over 50,000Hour's
- Net Weight : 140g , Gross Weight:168g
- Packing : 110*110*60mm(L*W*H)



Specification

- LED Power Consume (Watt) : 3W(1w LED x 3 pcs)
- Led lumen : 120 lm (40 lm * 3 pcs , Warm white)
- Center Illuminance : 1000 Lux/m (Spot) / 200 Lux/m (Flood) / 500 Lux/m (Wide)
- Len's Material : Optic alacrilan Len's (PMMA)
- Lens size : $\Phi 20\text{mm}$
- Bean Angle : Spot ($10^\circ \pm 1^\circ$) / Flood ($20^\circ \pm 1^\circ$) / Wide($12^\circ \times 35^\circ$) lens
- Input Voltage : 12Vac
- Power Line Frequency (Hz) : 50Hz/60Hz or Electronic Transfrmer (25Khz)
- Correlated Color Temperature(CCT) : 3300°K +/- 15% (Warm white)
- Operation Temperature : $-20^\circ\text{C} \sim +40^\circ\text{C}$
- Average Life Hours : 50,000Hour's

Mechanical Dimensions



Down light (Cool white 1W*3)AC

Future

- Model No : VL003SD31-AC-W / VL003FD31-AC-W / VL003WD31-AC-W
- Light Source : Three Luxeon 1W Emmitter LED (Cool white)
- Material housing : Metal, Color: White
- Optic Alacrilan Len's (PMMA)
- dimension ($\Phi 108 \times 86\text{mm}$) / Cut hole: $\Phi 86\text{mm}$
- Lift Time over 50,000Hour's
- Net Weight : 170g , Gross Weight:200g
- Packing : 110*110*88mm(L*W*H)



Specification

- LED Power consume (Watt) : 3W (1w LED x 3 pcs)
- Led lumen : 135 lm (45 lm * 3 , Cool White)
- Center Illuminance : 1400 Lux/m (Spot) / 200 Lux/m (Flood) / 800 Lux/m (Wide)
- Len's Material : optic alacrilan Len's (PMMA)
- Lens size : $\Phi 20\text{mm}$
- Bean Angle : Spot ($10^\circ \pm 1^\circ$) / Flood ($20^\circ \pm 1^\circ$) / Wide($12^\circ \times 35^\circ$) lens
- Input Voltage : 100V~230V AC
- Power Line Frequency (Hz) : 50Hz/60Hz
- Correlated Color Temperature(CCT) : 4800°K~7000°K (Cool white)
- Operation Temperature : $-20^\circ\text{C} \sim +40^\circ\text{C}$
- Average Life Hours : 50,000Hour's

Mechanical Dimensions



Down light (Warm White 1W*3)AC

Future

- Model No : VL003ST31-AC-W / VL003FT31-AC-W / VL003WT31-AC-W
- Light Source : Three Seoul 1W Emmitter LED (Warm white)
- Material housing : Metal, Color: White
- Optic Alacrilan Len's (PMMA)
- dimension : $\Phi 108\text{mm} \times 86\text{mm}$ / Cut hole: $\Phi 86 \text{ mm}$
- Lift Time over 50,000Hour's
- Net Weight : 170g , Gross Weight:200g
- Packing : 110*110*88mm(L*W*H)



Specification

- LED Power Consume (Watt) : 3W(1w LED x 3 pcs)
- Led lumen : 120 lm (40 lm * 3 pcs , Warm white)
- Center Illuminance : 1000 Lux/m (Spot) / 200 Lux/m (Flood) / 500 Lux/m (Wide)
- Len's Material : Optic alacrilan Len's (PMMA)
- Lens size : $\Phi 20\text{mm}$
- Bean Angle : Spot ($10^\circ \pm 1^\circ$) / Flood ($20^\circ \pm 1^\circ$) / Wide($12^\circ \times 35^\circ$) lens
- Input Voltage : 100V~230V AC
- Power Line Frequency (Hz) : 50Hz/60Hz
- Correlated Color Temperature(CCT) : 3300°K +/- 15% (Warm white)
- Operation Temperature : $-20^\circ\text{C} \sim +40^\circ\text{C}$
- Average Life Hours : 50,000Hour's

Mechanical Dimensions



Down light (Cool white 1W*3)vac

Future

- Model No : VL005SD31-vac-A/G / VL005FD31-vac-A/G
- Light Source : Three Luxeon 1W Emmitter LED (Cool white)
- Material housing : Metal , Color: Aluminum / Gold
- Optic Alacrilan Len's (PMMA)
- dimension (Φ 118mm x 42mm) / Cut hole: Φ 80 mm
- Lift Time over 50,000Hour's
- Net Weight : 140g , Gross Weight:160g
- Packing : 120*120*45mm(L*W*H)



Specification

- LED Power consume (Watt) : **3W** (1w LED x 3 pcs)
- Led lumen : **135 lm** (**45 lm** * 3 , Cool White)
- Center Illuminance : **1400 Lux/m** (Spot) / **200 Lux/m** (Flood)
- Len's Material : optic alacrilan Len's (PMMA)
- Lens size : Φ 30mm
- Bean Angle : Spot ($10^{\circ} \pm 1^{\circ}$) / Flood ($20^{\circ} \pm 1^{\circ}$) lens
- Input Voltage : 12Vac
- Power Line Frequency (Hz) : 50Hz/60Hz or Electronic Transfrmer (25Khz)
- Correlated Color Temperature(CCT) : 4800°K~7000°K (Cool white)
- Operation Temperature : $-20^{\circ}\text{C} \sim +40^{\circ}\text{C}$
- Average Life Hours : 50,000Hour's

Mechanical Dimensions

Spot



Flood



Down light (Warm White 1W*3)vac

Future

- Model No : VL005ST31-vac-A/G / VL005FT31-vac-A/G
- Light Source : Three Seoul 1W Emmitter LED (Warm white)
- Material housing : Metal, Color: Aluminum / Gold
- Optic Alacrilan Len's (PMMA)
- dimension : $\Phi 118\text{mm} \times 42\text{mm}$ / Cut hole: $\Phi 80 \text{ mm}$
- Lift Time over 50,000Hour's
- Net Weight : 140g , Gross Weight:160g
- Packing : 120*120*45mm(L*W*H)



Specification

- LED Power Consume (Watt) : **3W**(1w LED x 3 pcs)
- Led lumen : **120 lm** (**40 lm** * 3 pcs , Warm white)
- Center Illuminance : **1000 Lux/m** (Spot) / **200 Lux/m** (Flood)
- Len's Material : Optic alacrilan Len's (PMMA)
- Lens size : $\Phi 30\text{mm}$
- Bean Angle : Spot ($10^\circ \pm 1^\circ$) / Flood ($20^\circ \pm 1^\circ$)
- Input Voltage : 12Vac +/-10%
- Power Line Frequency (Hz) : 50Hz/60Hz or 25Khz (Electron Transformer)
- Correlated Color Temperature(CCT) : 3300°K +/- 15% (Warm white)
- Operation Temperature : $-20^\circ\text{C} \sim +40^\circ\text{C}$
- Average Life Hours : 50,000Hour's

Mechanical Dimensions

Spot



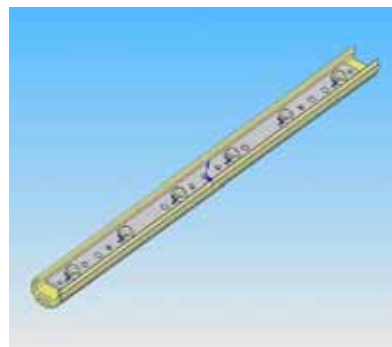
Flood



Cabinet light (Cool white 1W*6)

Future

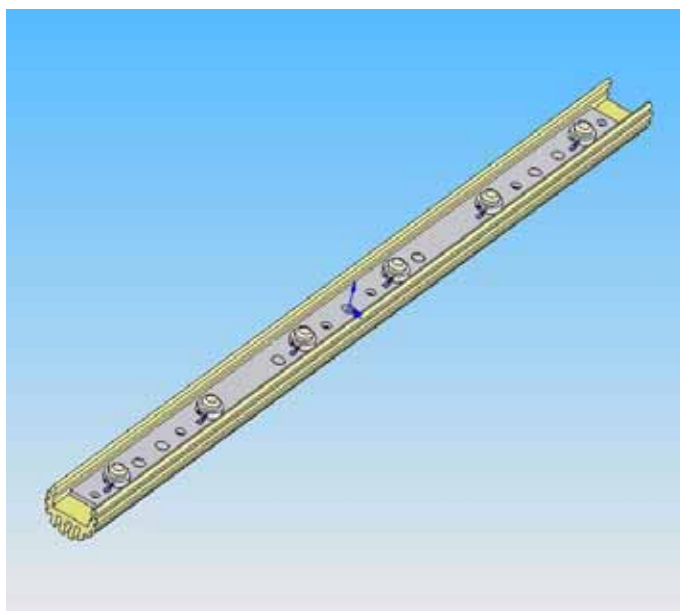
- Model No : VL006nD61n
- Light Source : Six Luxeon 1W Emmitter LED(Cool white)
- Material housing : Aluminum
- Light Irradiation Angle Range: +/-120 degree
- **dimension**: Ø 19 mm x 300mm
- Lift Time over 50,000Hour's
- Weight : 150g



Specification

- LED Power **consume** (Watt) : 6W
- LED Driving : constant Current 350mA
- Led **lumen** : **270lm** (**45 lm * 6**)(Cool white)
- Optimized Lighting Distance Range: < 60cm
- Max intensity > **270 lm** (6 LED)
- Correlated Color Temperature(CCT) : 4800°K~7000°K (Cool white)
- Operation Temperature : -20 °C~ + 40°C
- Average Life Hours : Over 50,000Hour's

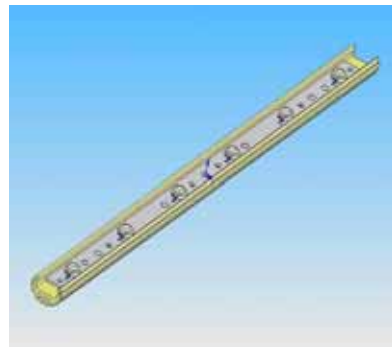
Mechanical Dimensions



Cabinet light (Warm white 1W*6)

Future

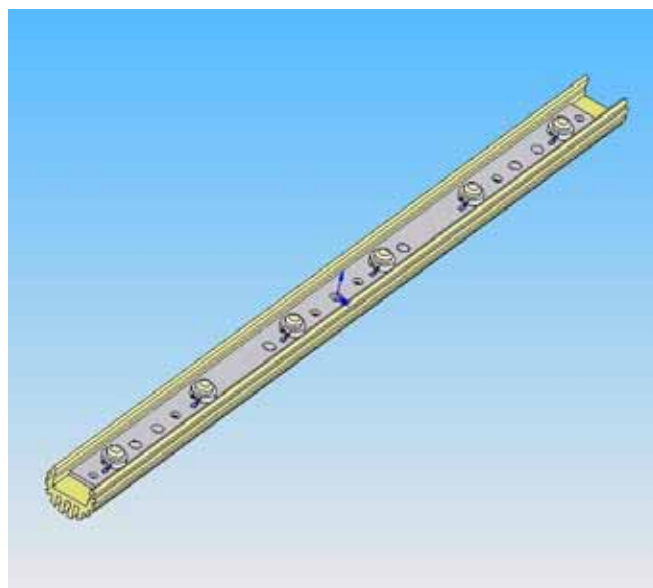
- Model No : VL006nT61n
- Light Source : Six Seoul 1W Emmitter LED(Warm white)
- Material housing : Aluminum
- Light Irradiation Angle Range: +/-120 degree
- **dimension**: Ø 19 mm x 300mm
- Lift Time over 50,000Hour's
- Weight : 150g



Specification

- LED Power **consume** (Watt) : 6W
- LED Driving : constant Current 350mA
- Led **lumen** : **240lm** (40 lm * 6)(Warm white)
- Optimized Lighting Distance Range: < 60cm
- Max intensity > **240 lm** (6 LED)
- Correlated Color Temperature(CCT) : 3300°K +/- 15% (Warm white)
- Operation Temperature : -20 °C ~ + 40°C
- Average Life Hours : Over 50,000Hour's

Mechanical Dimensions



Track light (Cool white 1W*3)

Future

- Model No : TD55A-2S31DH
- Light Source : Three Luxeon 1W Emmitter LED (Cool white)
- Material housing : Aluminum
- Optic Alacrilan Len's (PMMA)
- dimension ($\Phi 82 \times 80\text{mm}$)
- Lift Time over 50,000Hour's
- net weight : 460g , gross weight : 540g
- Packing : 182*127*90mm(L*W*H)



Specification

- LED Power consume (Watt) : **3W**
- LED Driving : Constant Current 350mA
- Led lumen : **135lm** (**45 lm** * 3 with Cool white)
- Center Illuminance : **1400 Lux/m** (Spot)
- Len's Material : Oacrilan Len's (PMMA)
- Lens size : $\text{\O}20\text{mm}$
- Bean Angle : Spot ($10^\circ \pm 1^\circ$) lens
- Input Voltage : 100V~230V AC
- Power Line Frequency (Hz) : 50Hz/60Hz
- Correlated Color Temperature(CCT) : 4800°K~7000°K (Cool white)
- Operation Temperature : $-20^\circ\text{C} \sim +40^\circ\text{C}$
- Average Life Hours : 50,000Hour's

Mechanical Dimensions

Spot



Track light (Warm white 1W x 3)

Future

- Model No : TD55A-2S31TH
- Light Source : Three Luxeon 1W Emmitter LED (Warm white)
- Material housing : Aluminum
- Optic Alacrilan Len's (PMMA)
- dimension ($\Phi 82 \times 80\text{mm}$)
- Lift Time over 50,000Hour's
- net weight : 460g , gross weight : 540g
- Packing : 182*127*90mm(L*W*H)



Specification

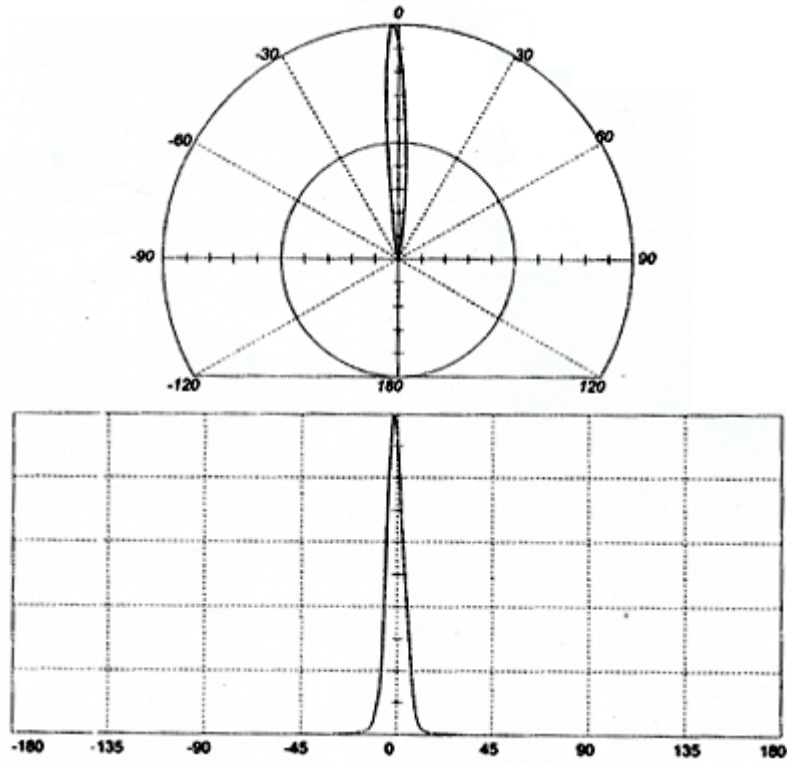
- LED Power consume (Watt) : **3W**
- LED Driving : constant Current 350mA
- Led lumen : **105lm** (**35 lm * 3**)(Warm white)
- Center Illuminance : **1000 Lux/m** (Spot)
- Len's Material : optic alacrilan Len's (PMMA)
- Lens size : $\Phi 20\text{mm}$
- Bean Angle : Spot ($10^\circ \pm 1^\circ$) lens
- Input Voltage : 100V~230V AC
- Power Line Frequency (Hz) : 50Hz/60Hz
- Correlated Color Temperature(CCT) : 2800°K~3800°K (Warm white)
- Operation Temperature : $-20^\circ\text{C} \sim +40^\circ\text{C}$
- Average Life Hours : 50,000Hour's

Mechanical Dimensions

Spot

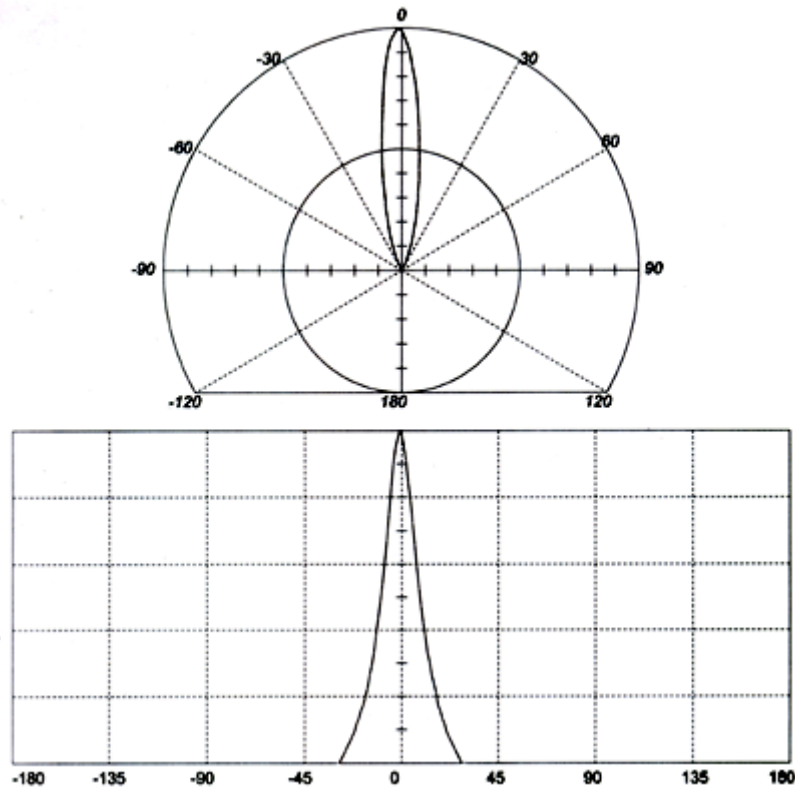


Sopt Relative Intensity Distribution



Measured by PR108 Goniophotometer(SENSING)

Flood Relative Intensity Distribution



Measured by PR108 Goniophotometer(SENSING)