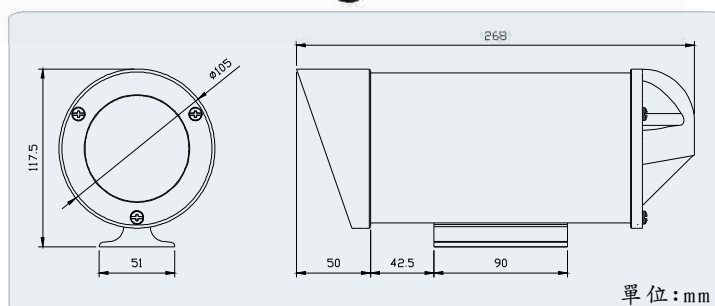


High Resolution Infrared Color Camera



GIR9155 / 9155H

- ◆ IR RANGE : 35 M
- ◆ 1/3 INCH CCD IMAGE SENSOR
- ◆ HORIZONTAL RESOLUTION
Max. 480 TV Lines
- ◆ 56pcs IR LED



SPECIFICATIONS

MODEL	GIR9155		GIR9155H	
	NTSC	PAL	NTSC	PAL
VIDEO SYSTEM	NTSC	PAL	NTSC	PAL
PICK UP ELEMENT	1/3 INCH CCD IMAGE SENSOR (INTER LINE)			
IMAGE SIGNAL PROCESS	DIGITAL SIGNAL PROCESSING SYSTEM			
LENS MOUNT	6.0 mm (Standard)			
NUMBER OF PIXEL	510 (H)x492 (V)	500 (H)x582 (V)	768 (H)x494 (V)	752 (H)x582 (V)
PICTURE ELEMENTS	APPROXIMATELY 250K	APPROXIMATELY 290K	APPROXIMATELY 380K	APPROXIMATELY 440K
HORIZONTAL RESOLUTION	Max. 420 TV Lines		Max. 480 TV Lines	
POWER SUPPLY	AC 100~240V			
POWER CONSUMPTION	11W (at AC 110V)			
SYNCHRONIZATION	INTERNAL			
SCANNING SYSTEM	2 : 1 INTERLACE			
SENSITIVITY	0 LUX -IR ON			
S/N RATIO	Max 48 dB			
AUTO GAIN CONTROL	YES			
BACK LIGHT COMPENSATION	YES			
WHITE BALANCE	AUTO			
ELECTRONIC SHUTTER	AUTO: 1/60S TO 1/10000S		AUTO: 1/50S TO 1/10000S	
OUTPUT	1 Vp-p COMPOSITE VIDEO OUTPUT, 75 OHMS			
IR RANGE	35 M			
WAVELENGTH	850 nm			
OPERATING TEMPERATURE	-5°C ~ +60°C			
DIMENSIONS (W x D x H)	Φ105 x 117.5 x 268 mm			
WEIGHT	About 1Kg			